

# VAST COVE LIGHT

palette



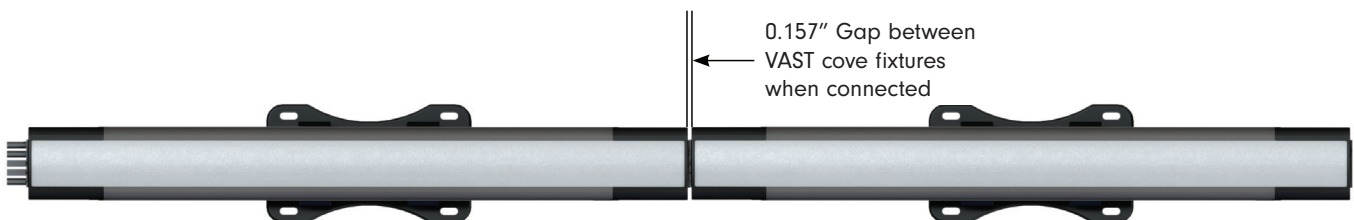
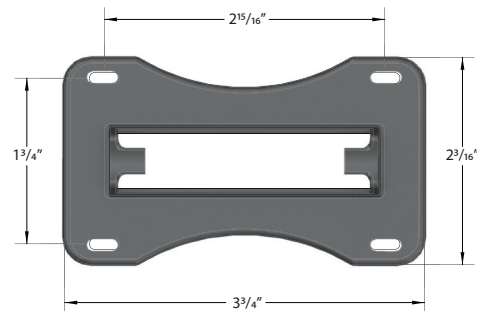
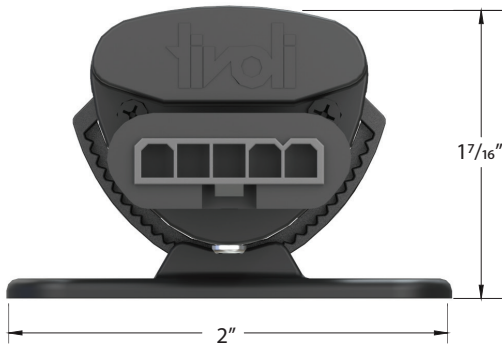




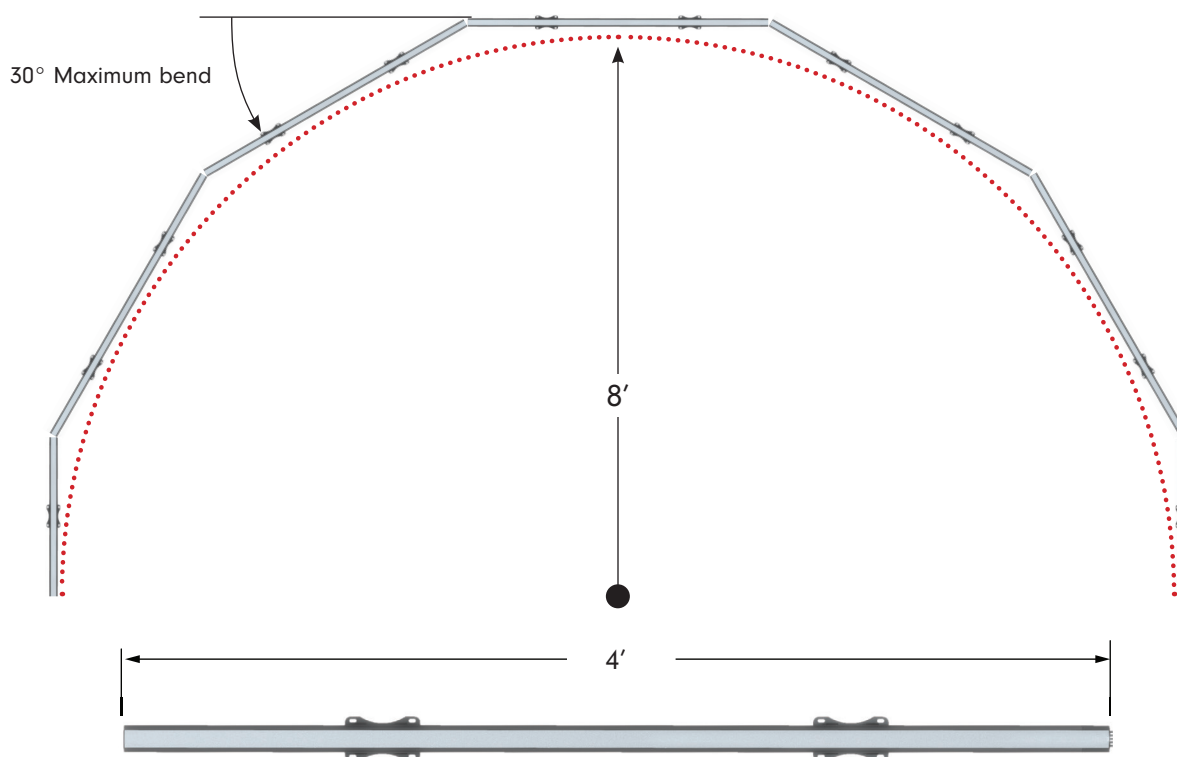
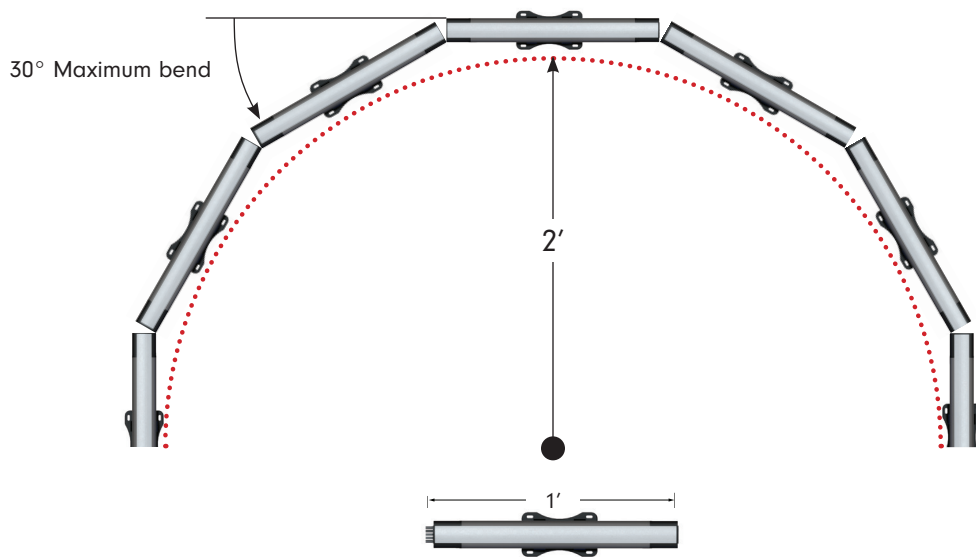
Project: \_\_\_\_\_ TYPE: \_\_\_\_\_

- RGB+W Cove light with dedicated white chip ranging from 27K - 60K
- DMX with RDM (Remote Device Management) or DMX with Auto Addressable feature
- Self-Ballasted (100-277V AC)
- Up to 450 lumens/ft (CCT dependent)
- Maximum Run up to 120'
- Flexible connectors accommodate curved applications
- Adjustable mounting bracket for desired angle
- For Dry/Damp location
- IP54 Rating
- 5 Year warranty

**Dimensions**



**Radius Bend**



## Order Specification Guide

PRODUCT CODE	LED TYPE	COLOR	LENS	RGB+W LED COLOR	DIMMING OPTION	LENGTH
<b>VAST</b>		<b>SG</b>	<b>OP</b>			
VAST = VAST Palette Cove Light	SB = Standard Brightness HO = High Output	SG = Space Gray	OP = Opal	RGB27 = RGB+2700K RGB30 = RGB+3000K RGB35 = RGB+3500K RGB40 = RGB+4000K RGB53 = RGB+5300K RGB60 = RGB+6000K	01 = DMX/RDM 02 = DMX/Auto Address	1 = 1' 4 = 4'

## Specifications

Output (High Output - HO) - 1' Unit	
White 3000K Lumens (lm/ft) White Chip Only	1066
RGB Lumens (lm/ft) Red, Green and Blue Only	254
Red Lumens (lm/ft)	70.6
Blue Lumens (lm/ft)	39.2
Green Lumens (lm/ft)	172
Efficacy (3000K)	88.83
LED	
Beam Angle	115°
CRI (3500K)	94
Electrical	
Control	DMX5 512 (Resolution: 1 pixel/unit), RDM (Programable Resolution: 1 pixel/6", 12", 24", 48")
Input Voltage	100-277V AC 50/60Hz
Power Consumption (W/unit)	1': 6W (SB), 12W (HO)   4': 24W (SB), 48W (HO)
Maximum Electrical Run	120' (SB), 60' (HO)
Physical	
Mounting	Surface Mount with adjustable clip
Operating Temperature	-4°F~149°F (-20°C~65°C)
Storage Temperature	-13°F~158°F (-25°C~70°C)
Certification and Testing	
Certification	cULus, CE, RoHS
Rated Life	>60,000 hrs. @ 25°C
Environment	Dry/Damp Location
IP Rating	IP54
Warranty	5 Years

## Accessories



**VAST-T-CONN-XLR-3**  
T Connector for DMX XLR connection to controller



**VAST-T-CONN-SIG**  
T Connector 7' Power Cable and 7' 0-10V Signal Cable



**JUMPER-XLR3P-X**  
Jumper Cable 3-PIN XLR  
X = 5, 10, 25 (lengths in ft)



**VAST-JUMPER-5P-X**  
X = 1 (1'), 5 (5')  
Jumper, 5-Pin Connection



**DMX3-CAT5-ADPTR**  
DMX Adapter  
3-pin XLR Female to RJ45



**VAST-BAFL-1**  
Black Vast baffle 1' length



**NTG-SWI-16PT**  
NETGEAR 16-Port Gigabit Ethernet Unmanaged Switch



**VAST-5P-EC**  
5-Pin End Cap



**ARTNET-L-X-512**  
X = 8, 16 (ports)  
8 or 16 port universe Artnet to DMX interface, 16 port 8192 DMX channels  
8 port 4096 DMX channels (Online only)



**NTG-SWI-8PT**  
NETGEAR 8-Port Gigabit Ethernet Unmanaged Switch



**DMX-SPLT-8**  
DMX Splitter  
8 ports of DMX 512, RJ45 and 3-pin hardware connection

Note: If the number of DMX fixtures exceed 32 units, a DMX Splitter is required. A DMX splitter mainly splits and duplicates an incoming DMX signal into several DMX output signals. Each output signal is basically the same. At the same time, the DMX splitter amplifies the signal to ensure the signal strength.

## Controls & Software



**TVOQ-1-WH**  
16 DMX channel, 16 scene,  
4 zone, glass touch screen



**TVOQ-10-XX-7**  
XX = BK (Black), WH (White)  
1024 DMX channel, 500 scene,  
10 zone, glass touch screen



**TVOQ-2-BK**  
512 DMX channel, 99 scene,  
1 zone, glass touch screen



**ARTNET-S-8-512**  
8 port universe Artnet to DMX interface, 4096 DMX channels  
(Online or Offline option)



Cue™ and CuePro™ softwares are specifically designed for the TivoCUE™ in-wall DMX controls and includes an array of tools required by the latest DMX lighting fixtures. Intuitive, with easy-to-use effects that can be dropped into timelines, and multi-zone synchronization capabilities allow you to program a project effortlessly.

**Key & Software Levels**



**MADRIX KEY**

A USB dongle unlocks the software’s full output. You can freely switch between different PCs as it is not bound to a specific one. It only needs to be activated online once.

**MADRIX 5 LICENSE UPGRADES**

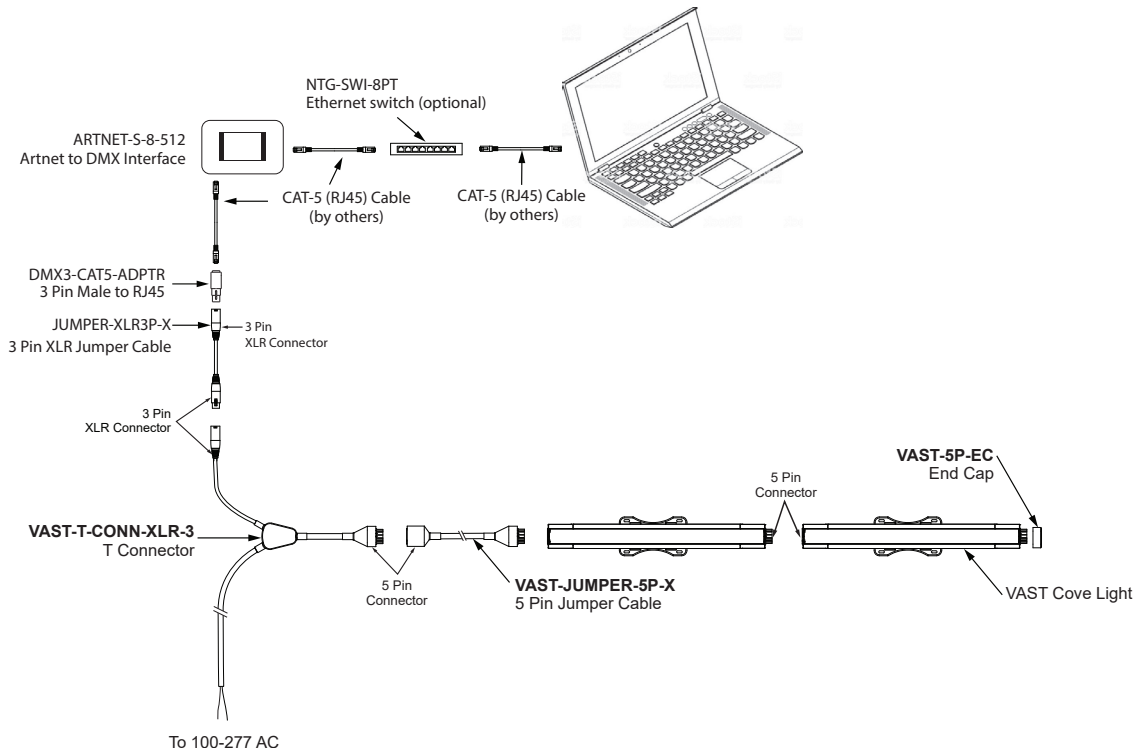
You can easily upgrade your MADRIX 5 KEY to any higher license at any time, increasing the available output.

MADRIX 5 Key & Software Cat No	MDRX-LC-5S	MDRX-LC-5E	MDRX-LC-5B	MDRX-LC-5P	MDRX-LC-5U	MDRX-LC-5M
Level	START	ENTRY	BASIC	PROFESSIONAL	ULTIMATE	MAXIMUM
<b>DMX-Based Output</b>						
DMX Channels	1,024	4,096	16,384	65,536	262,144	1,048,576
DMX Universe Example	2	8	32	128	512	2,048
RGB Voxels Example	341	1,365	5,461	21,845	87,381	349,525
<b>DVI-Based Output</b>						
DVI Voxels	4,096	16,384	262,144	1,048,576	2,097,152	2,097,152
Render Resolution Example	64 X 64 PIXELS	128 X 128 PIXELS	512 X 512 PIXELS	1,024 X 1,024 PIXELS	2,048 X 1,024 PIXELS	2,048 X 1,024 PIXELS

## Wiring Diagram - Offline

### ARNET-S (Stand Alone)

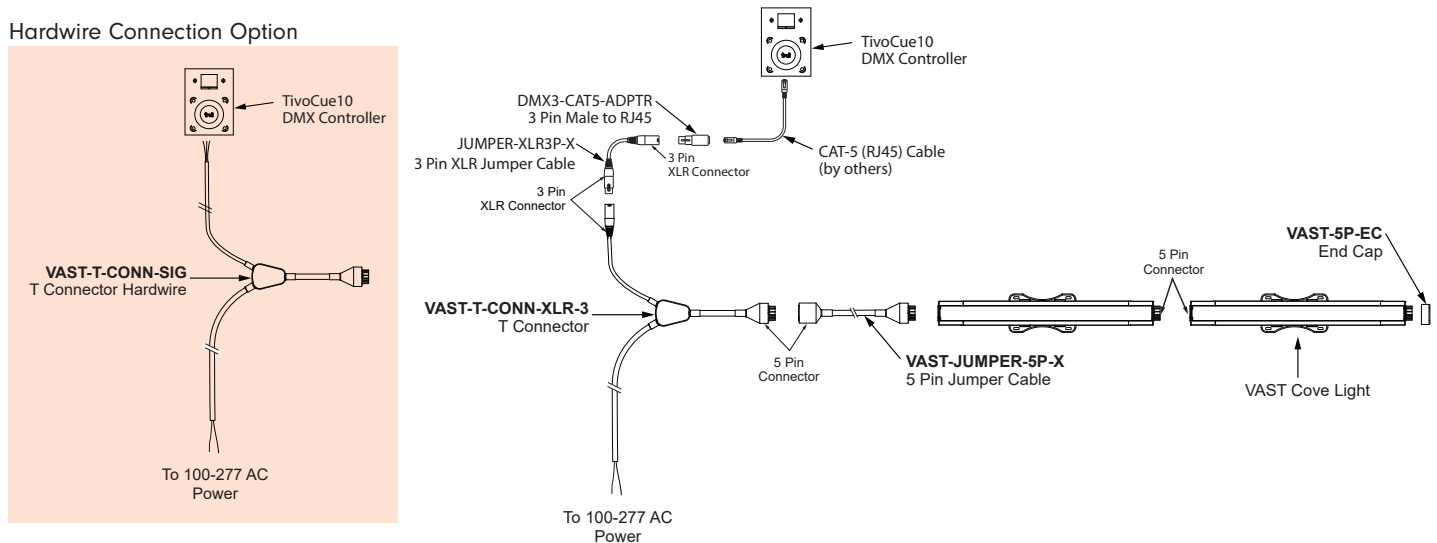
Programmed via MADRIX software and recorded directly to an ARNET-S interface for media applications and performance. This is a stand-alone feature with no need for network support by software (MADRIX) once recorded to the interface (ARNET-S). Please refer to ARTNET-S-8-512 User Manual for additional information.



### TivoCUE (Stand Alone)

Programmed via CUE software and recorded to a MicroSD card for data transfer into TivoCUE control. This is a stand-alone feature with no need for network support by software (CUE PRO) once recorded and transferred to in-wall DMX control hardware (TivoCUE). Please refer to TivoCue 10 User Manual for additional information.

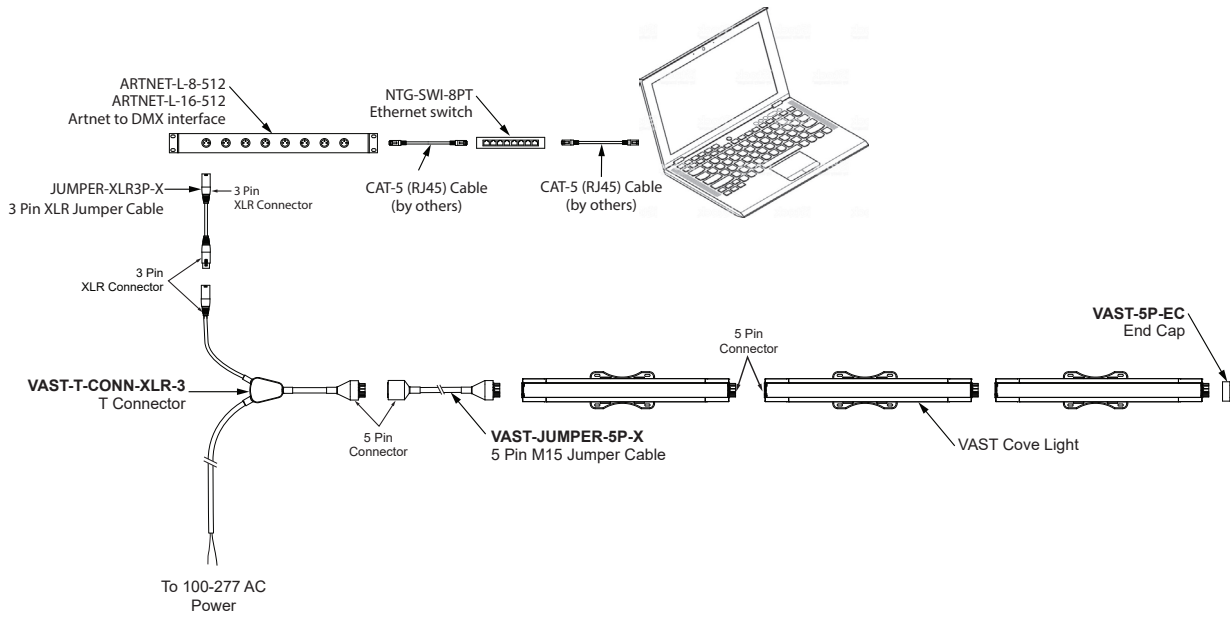
#### Hardware Connection Option



**Wiring Diagram - Online**

**LIVE CONFIGURATION**

This is a live control performance setup. Widely used for concerts or performance-based manipulation. Use of a live network is necessary for communication between MADRIX software and fixture.



**Tivoli Technical Support**

DMX projects can be difficult to setup and program when dealing with software and fixtures once you are on site. Tivoli offers technical support from initial contact up to installation and setup if needed. Please contact your local sales rep for pricing and provide details of desired technical support level for your project.



**Phone Support**

**Website & Video**

**PDF Documents**

**In-House Customer Support**

sales@tivoliusa.com  
714-957-6101 (Engineering Tech Support)



**Travel To Site**

**Program**

**Test & Run System**

**On-Site Live Support | Commission**